

LEDRHYTHM

LED
PRECISE, HIGH-OUTPUT LIGHTING

Apollo I

WAREHOUSE SERIES

80W, 100W, 120W, 150W, 240W, 360W

- Intelligent control
- Operating Temp : -30 °C to + 45 °C
- 0-10V Dimming Optional
- Expected Life over 50,000 Hours
- High-strength extruded aluminum alloy housing
- Famous brand drivers and chips



PROJECT

CATALOG #

TYPE



POWER

Available in 80W, 100W, 120W, 150W, 240W
360W Configurations

PRECISION

High Chip Density for
Increased Uniformity

ENGINEERING

Extruded aluminum Heatsink for
Maximum Thermal Management

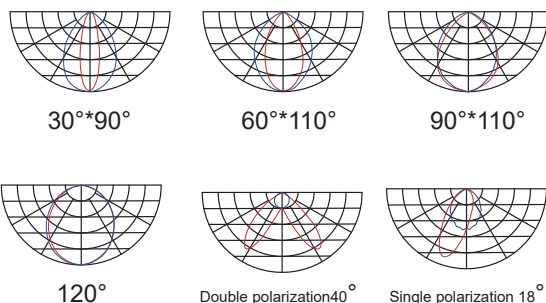
ORDERING INFORMATION

ITEM	POWER	CCT	OPTICS	INPUT PWR	Housing Material	DIMMING	FIELDS APPLICATION
Apollo I	80W	3000K	30°*90°	220-240 V	Aluminum extrusion	0-10V Dimmable Optional	Warehouse Cold storage Retail areas Production and assembly halls Office
	100W	4000K	60°*110°	120-277			
	120W	5000K	90°*110°	Optional			
	150W	5700K	120°				
	240W		Double polarization40°				
	360W		Single polarization 18°				

NOTES

- 80 CRI Standard
- Custom RAL Colors Require Additional Costs & Lead Times
- CM Mounting Standard

OPTICS



LUMEN OUTPUT

	3000K	4000K	5000K	5700K
80W	10400lm	11200lm	11200lm	11200lm
100W	13000lm	14000lm	14000lm	14000lm
120W	15600lm	16800lm	16800lm	16800lm
150W	19500lm	21000lm	21000lm	21000lm
240W	31200lm	33600lm	36000lm	33600lm
360W	46800lm	50400lm	54000lm	50400lm

Due to continuous improvement and innovation, product appearance and specifications may change without notice. Actual performance may differ as a result of end-user environment and application.

Apollo I

WAREHOUSE SERIES

SPECIFICATIONS

Expected Life | Over 50,000 hrs.
Color Rendering Index (CRI) | >80
Operating Temp | -30°C – +45°C
Relative Humidity | 0-90% RH
Power Factor | ≥97%
Input Volt | 220-240 V/120-277V Optional
Frequency | 50/60 Hz
LED Chips | OSRAM
DIMMING | Dimmable 0-10V Standard
LED Efficiency
- 3000K, 130 lm/w
- 4000K, 140 lm/w
- 5000K, 150 lm/w
- 5700K, 140 lm/w
Surge Protection | 2kV

WARRANTY

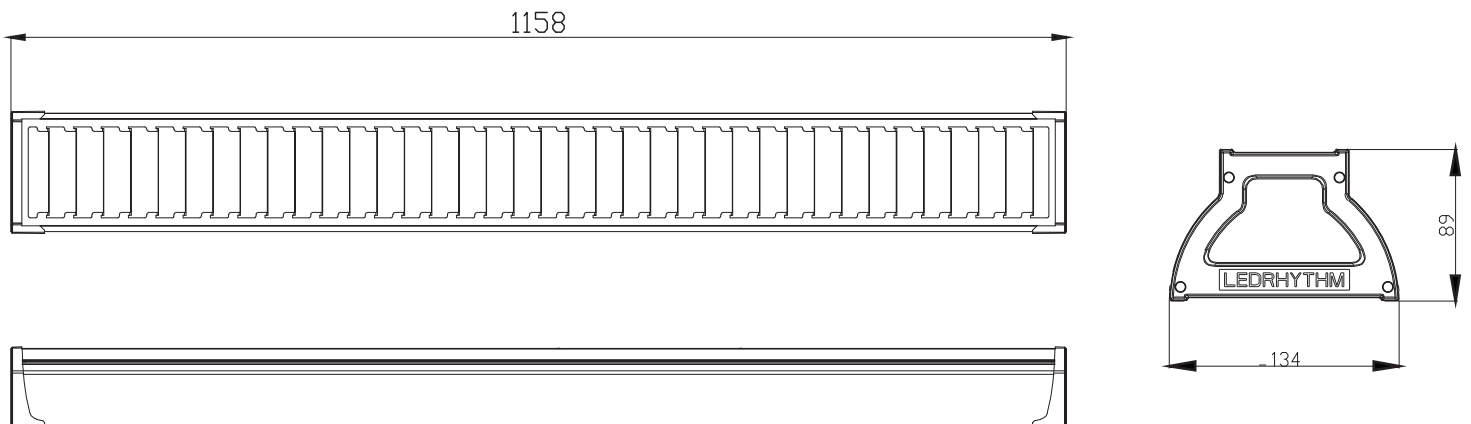
SEE WEBSITE FOR DETAILS

Housing | 5-Year
LED | 5-Year
Driver | 5-Year

MATERIALS

Housing | Aluminum extrusion
Finish | Protective UV Stabilized
Powdercoat 4000 Hour Salt
Spray Tested to ASTM B117
Lens | PC. 1.5mm Thick

DIAMENSIONS



Due to continuous improvement and innovation, product appearance and specifications may change without notice. Actual performance may differ as a result of end-user environment and application.